



Industrial & Systems Engineering (120 units)

Fall 2017 Catalog

English

Mathematics

Engineering

General Education

ENGL 1AF (3)	ENGL 1A (3)
ENGL 1AS (3)	ENGL 1B (3) + Core GE & WST
Math 3A (4)	Math 19 + 19W (6)
Math 6A (3)	
ENGR 8 (1)	ENGR 10 (3) (GE Area E)

GE Check List:

Basic Skills (9 units)

A1: _____ (3)

A2: _____ (3)

A3: *Pending Degree* (3)

Humanities (9 units)

C1: _____ (3)

C2: ENGL 1B (3)

C3: _____ (3)

Social Science (9 units)

D1: _____ (3)

D2: _____ (3)

D3: _____ (3)

Human Dev. (9 units)

E: *Engineering 10* (3)

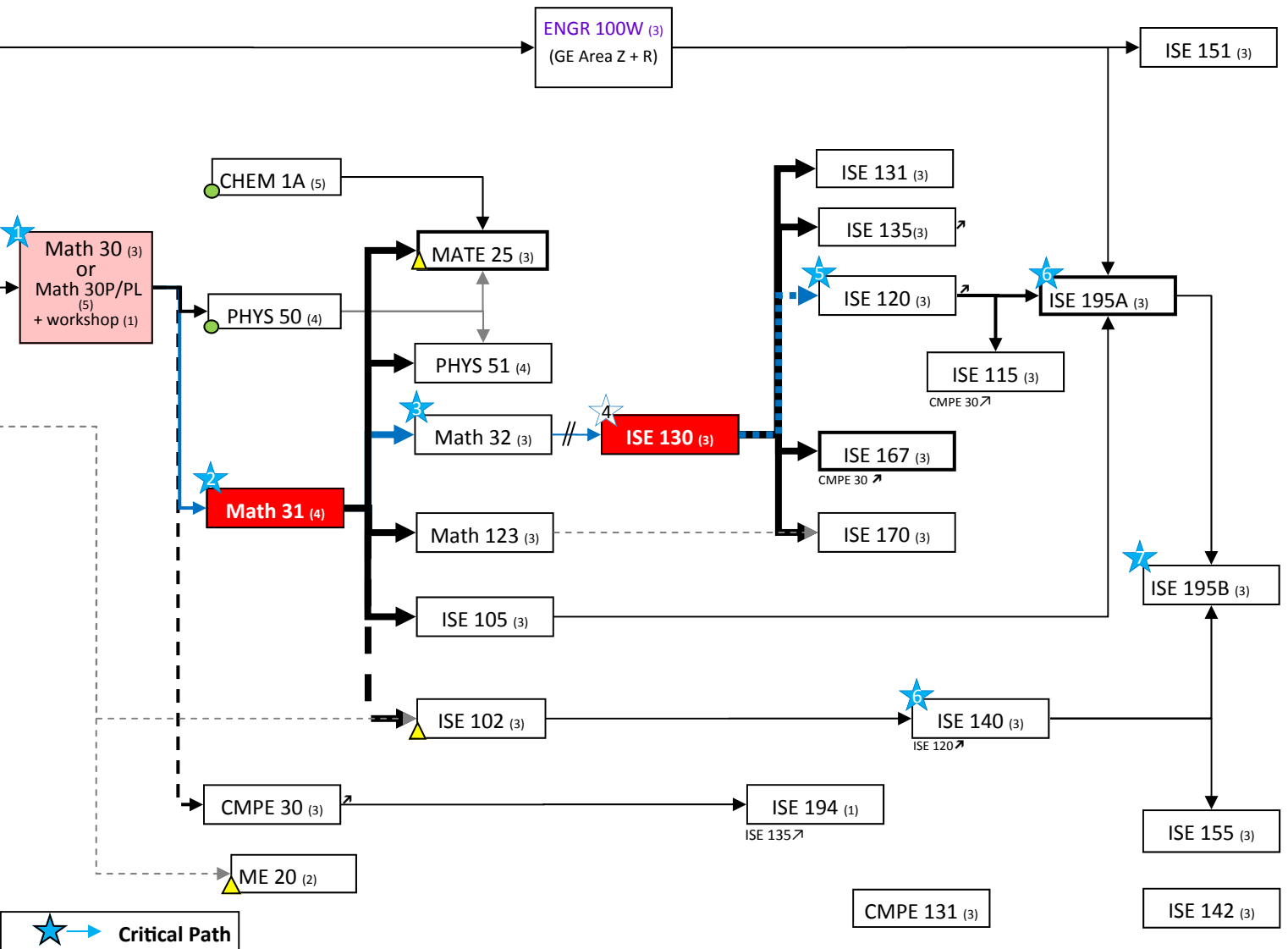
Social Science (9 units)

US1: _____ (3)

US2: _____ (3)

US3: _____ (3)

KEY:



★ → Critical Path

Additional Requirements:

Technical Elective Courses: _____ (6 units)

SJSU Studies: (9 units) R&Z: ENGR 100W _____ (3) S: _____ (3) V: _____ (3)