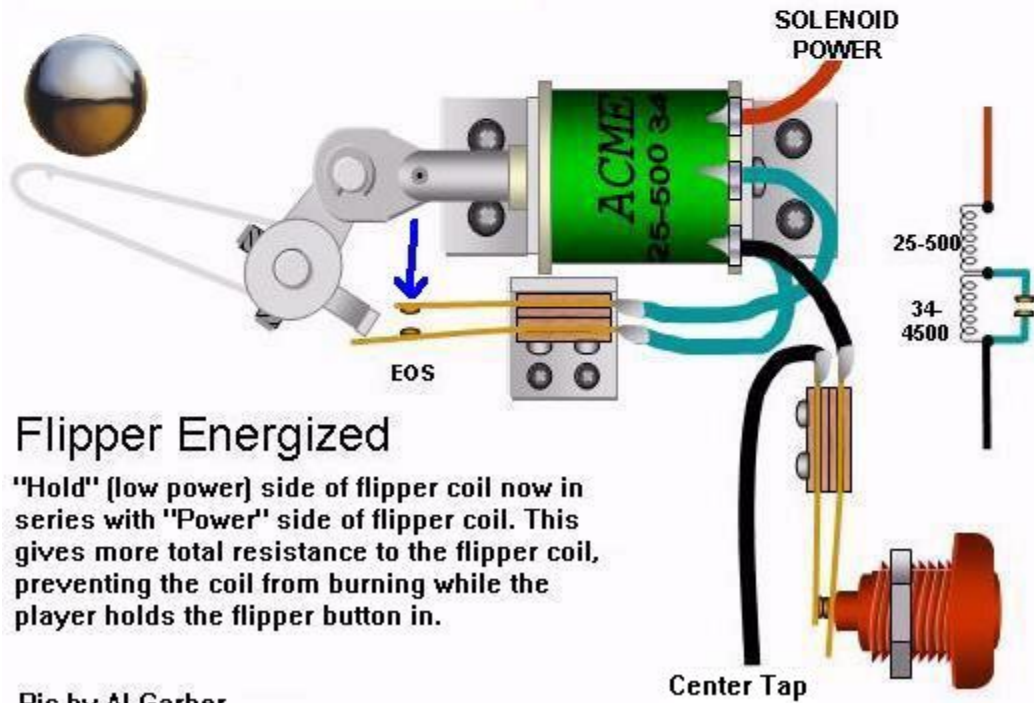
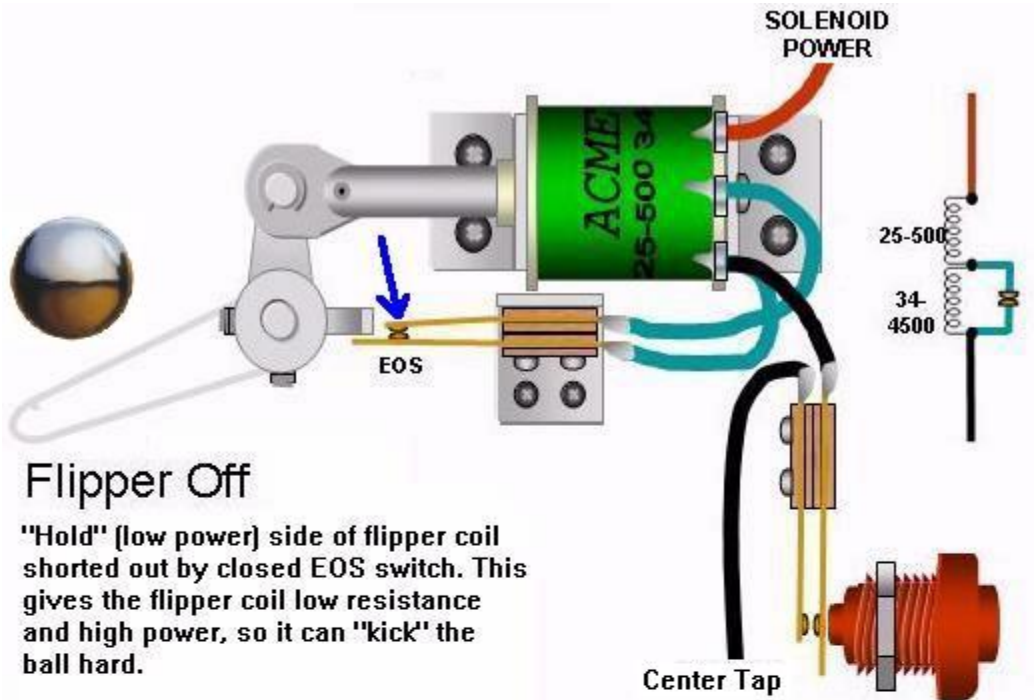


MOSFET Application Example - Pinball Flipper

Flipper Mechanism

A slider-crank 4-bar linkage!



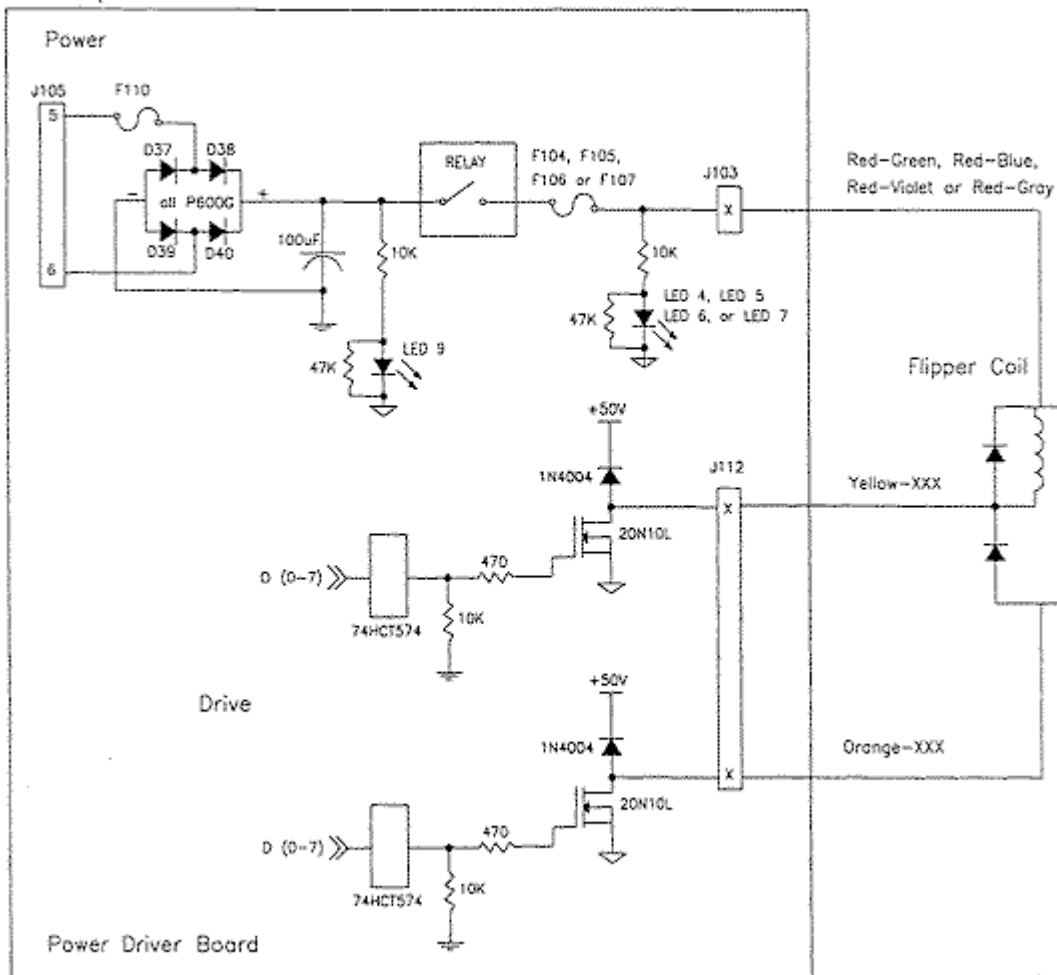
Pic by Al Garber

(Source of figure: <http://www.pinrepair.com/em/index2.htm#flips>. Accessed 30SEP2010.)

MOSFET Application Example - Pinball Flipper

What circuit elements can you identify?

FLIPPER COIL CIRCUIT



Example Coil Specs

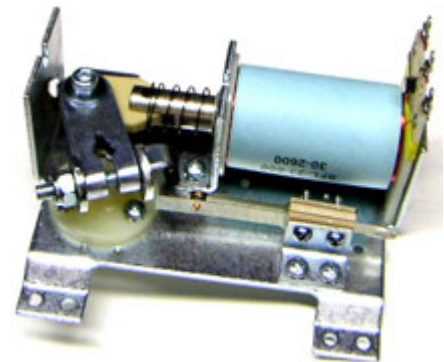
Stern flipper solenoid dual winding coil.

Specifications: Wire Gauge: 22 /30

Number of turns: 750 /2600

Resistance in ohms: 2.6 / 92

<http://www.marcospecialties.com/storeitems.asp?cc=COIL>



http://www.pinballmedic.net/images/parts/typical_flipper_assembly_sm.jpg