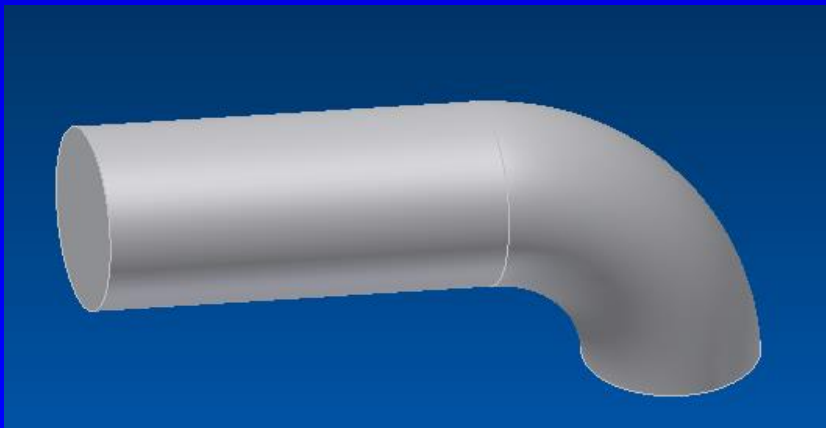
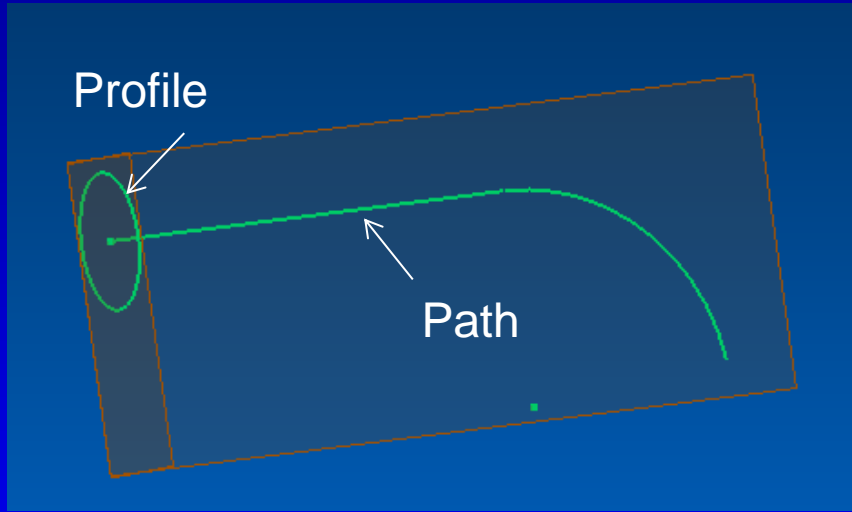


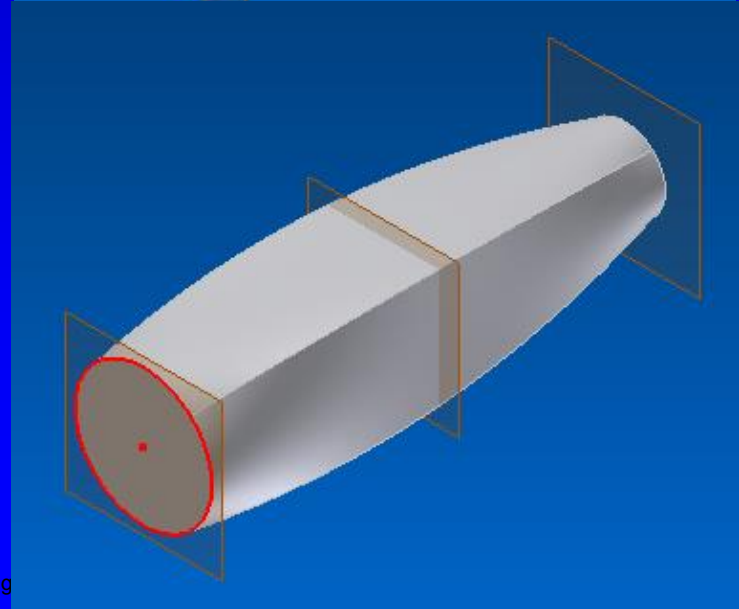
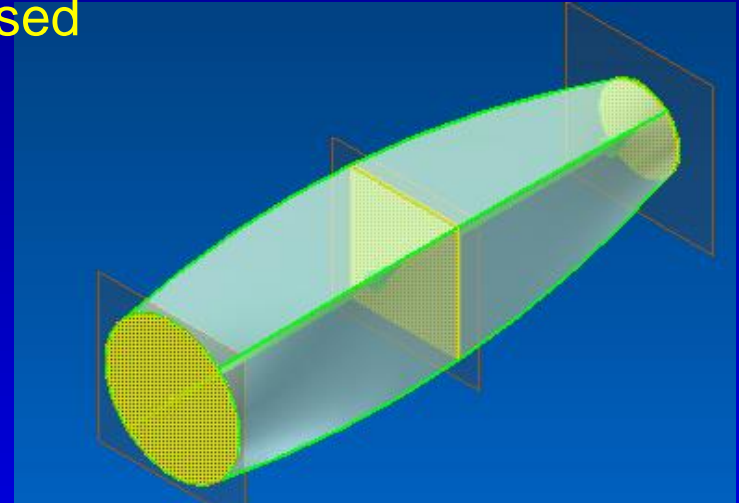
Sweep

Creates a solid with uniform cross section



Loft (sweep and blend combined)

Creates a solid with different cross sections, multiple paths could be used



Sweep Command



Creates a swept solid

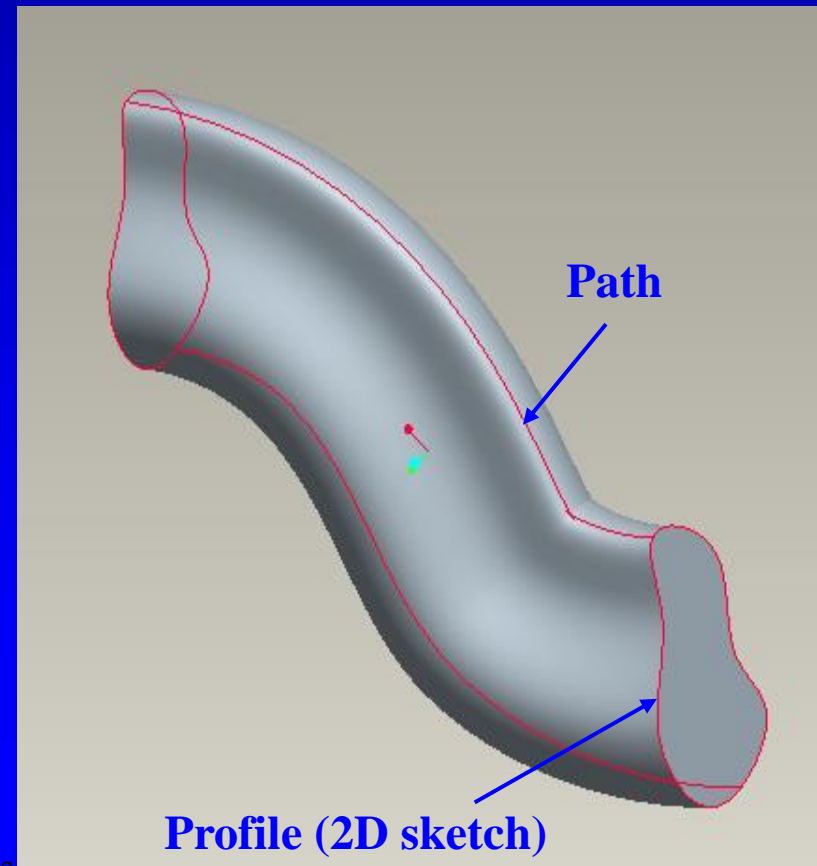
Removes material as it sweeps

Sweep

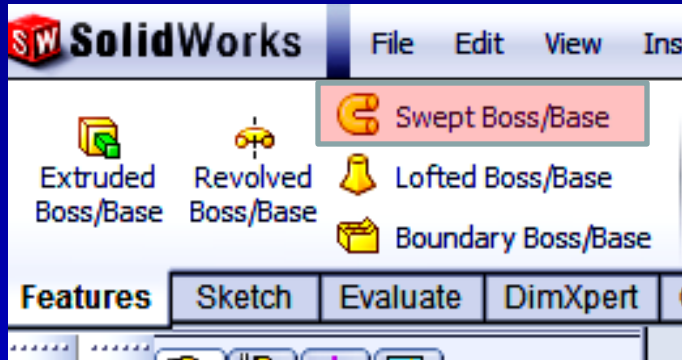
Sweep command creates a solid by sweeping a profile along a specified path.

A sweep feature requires two sketches; a **profile** and a **path**. These two sketches cannot lie on the same plane or be parallel.

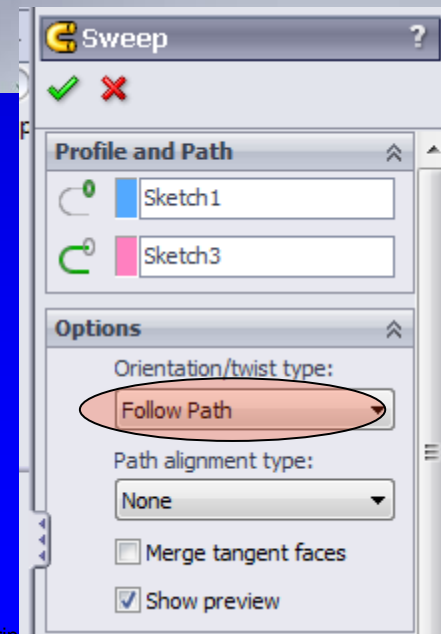
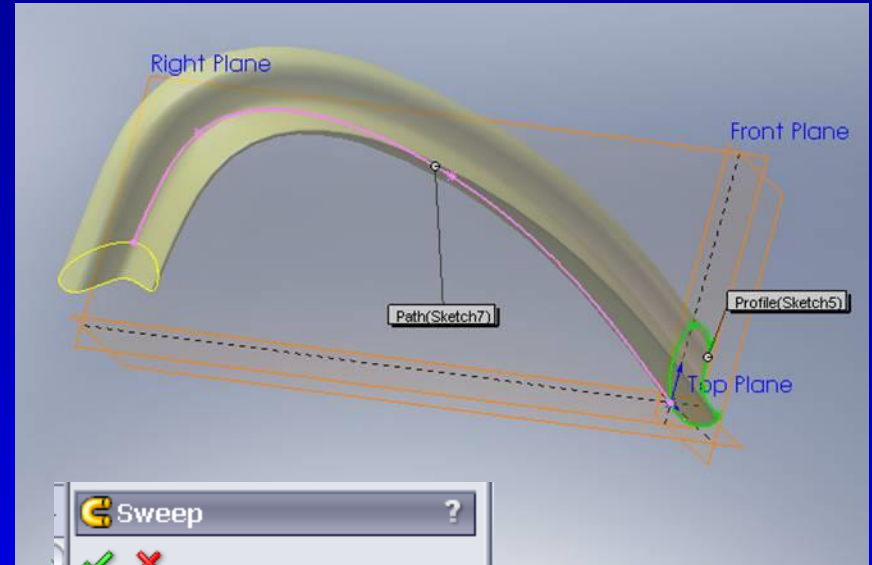
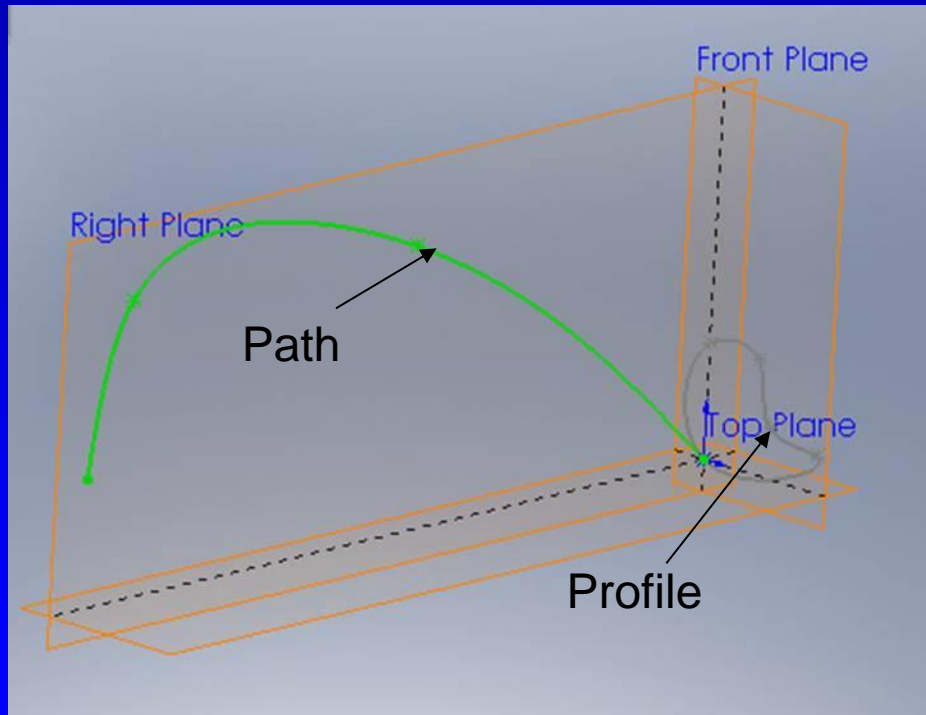
The path can be either open or closed profile. It could lie on one plane or lie on multiple planes (3D sketch)



Sweep Command in SW

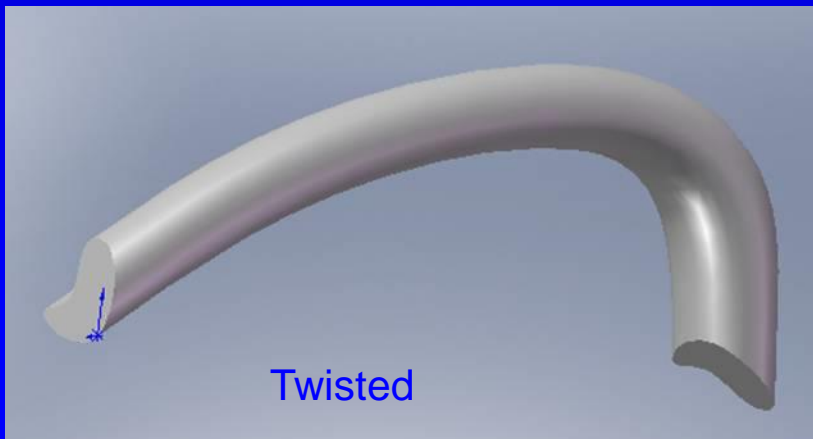
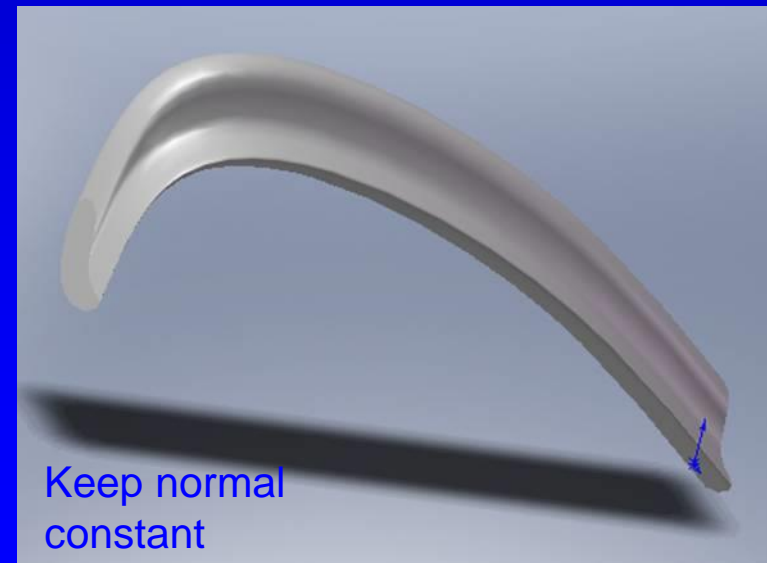
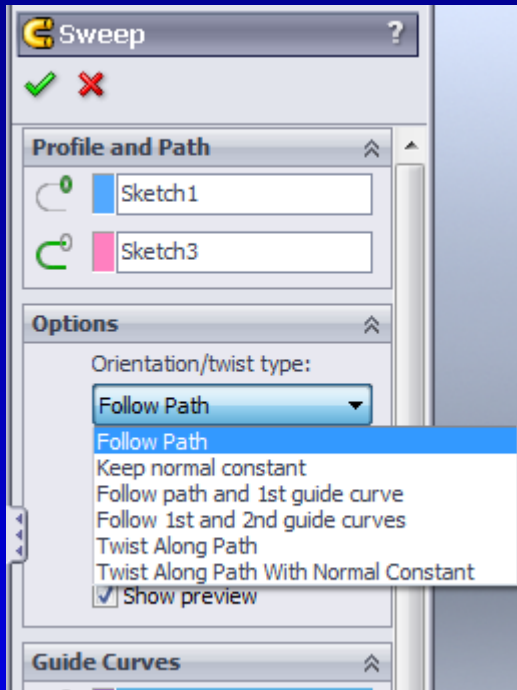


Sweep using a profile, path and **Follow Path** option



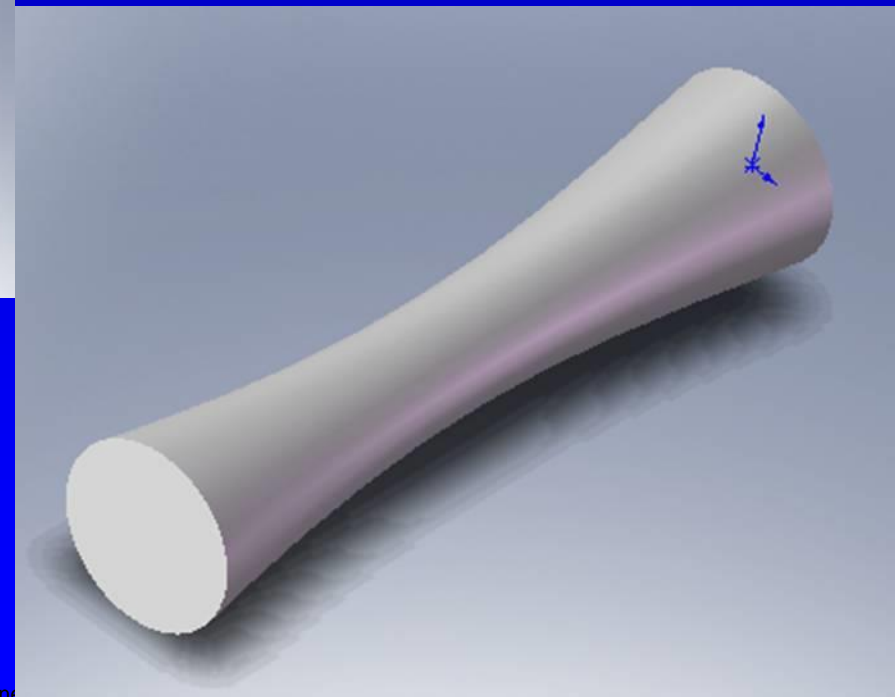
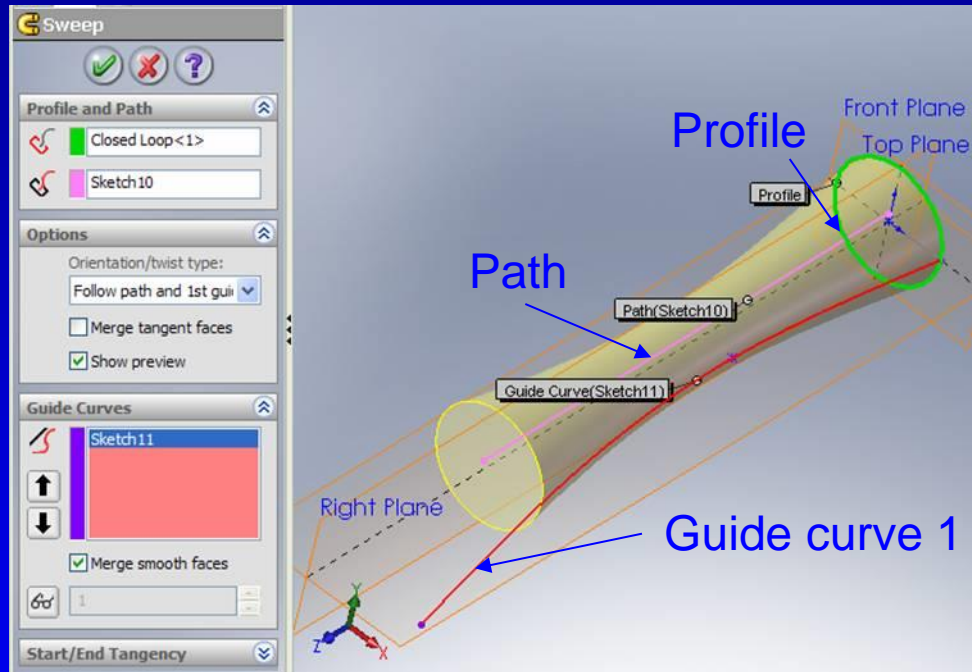
Sweep Command in SW

Sweeps using different Options



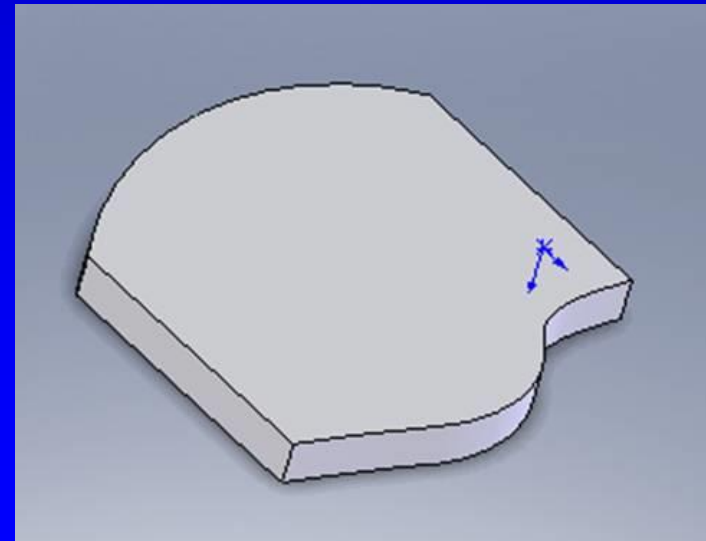
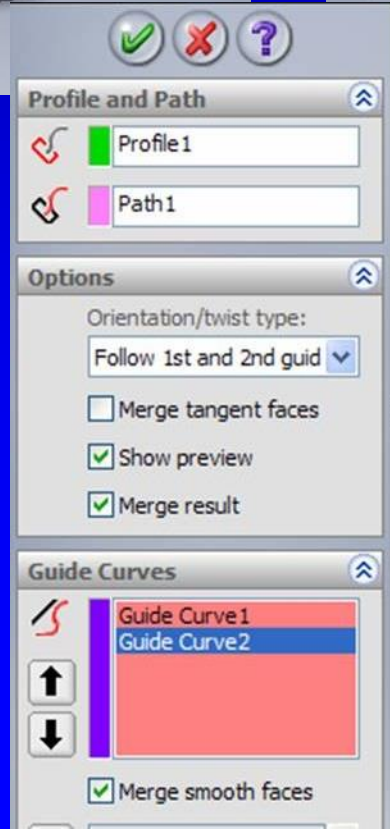
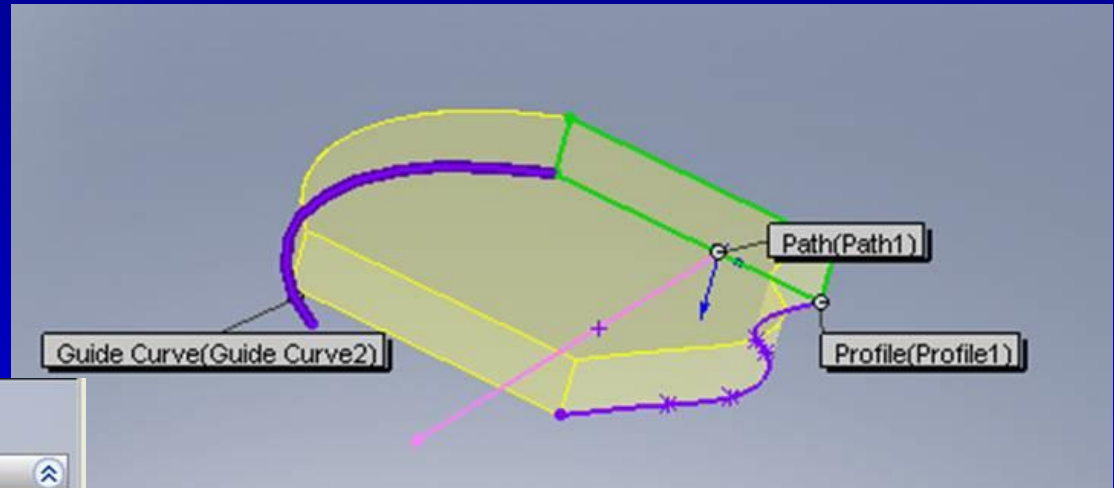
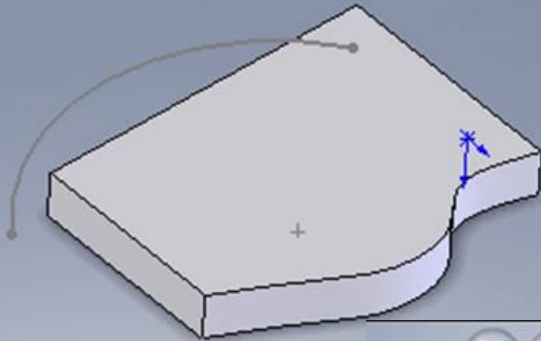
Sweep Command in SW

Sweep using a profile, path and one guide



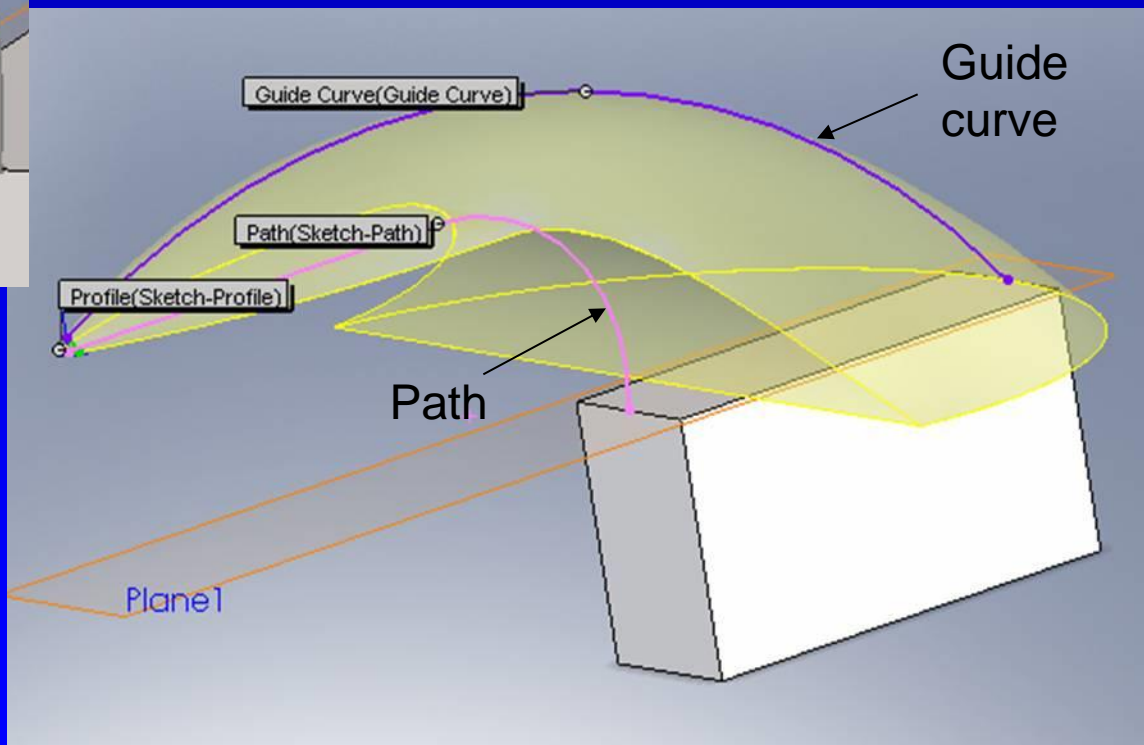
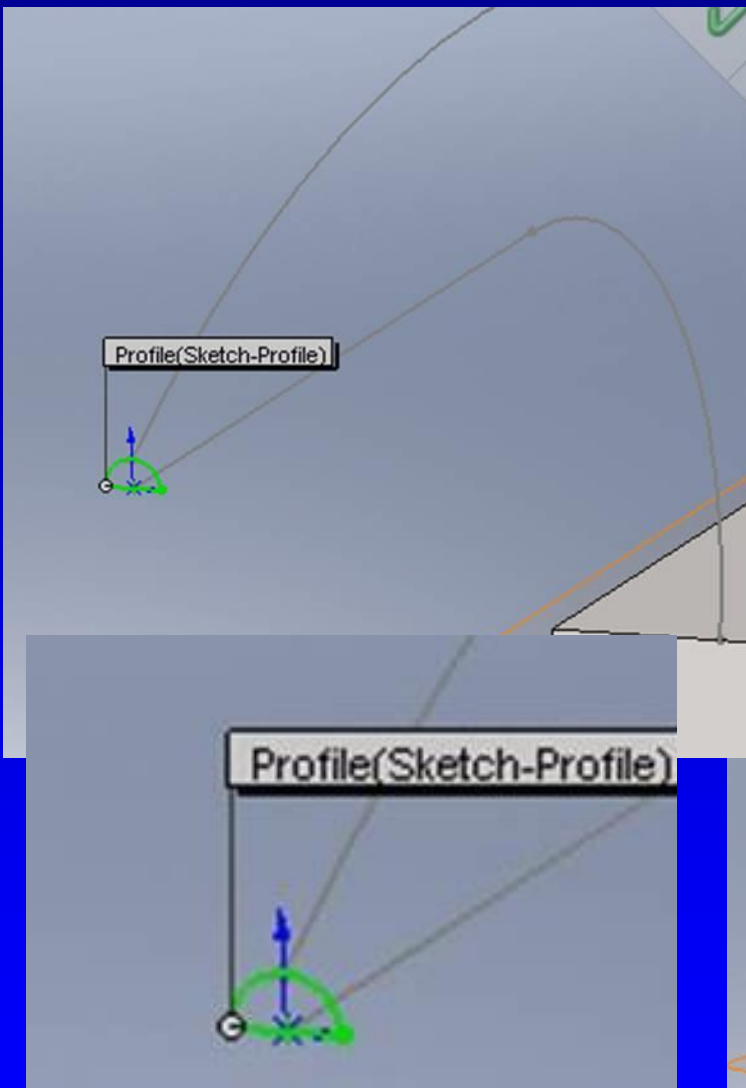
Sweep Command in SW

Sweep using a profile, path and **two** guides

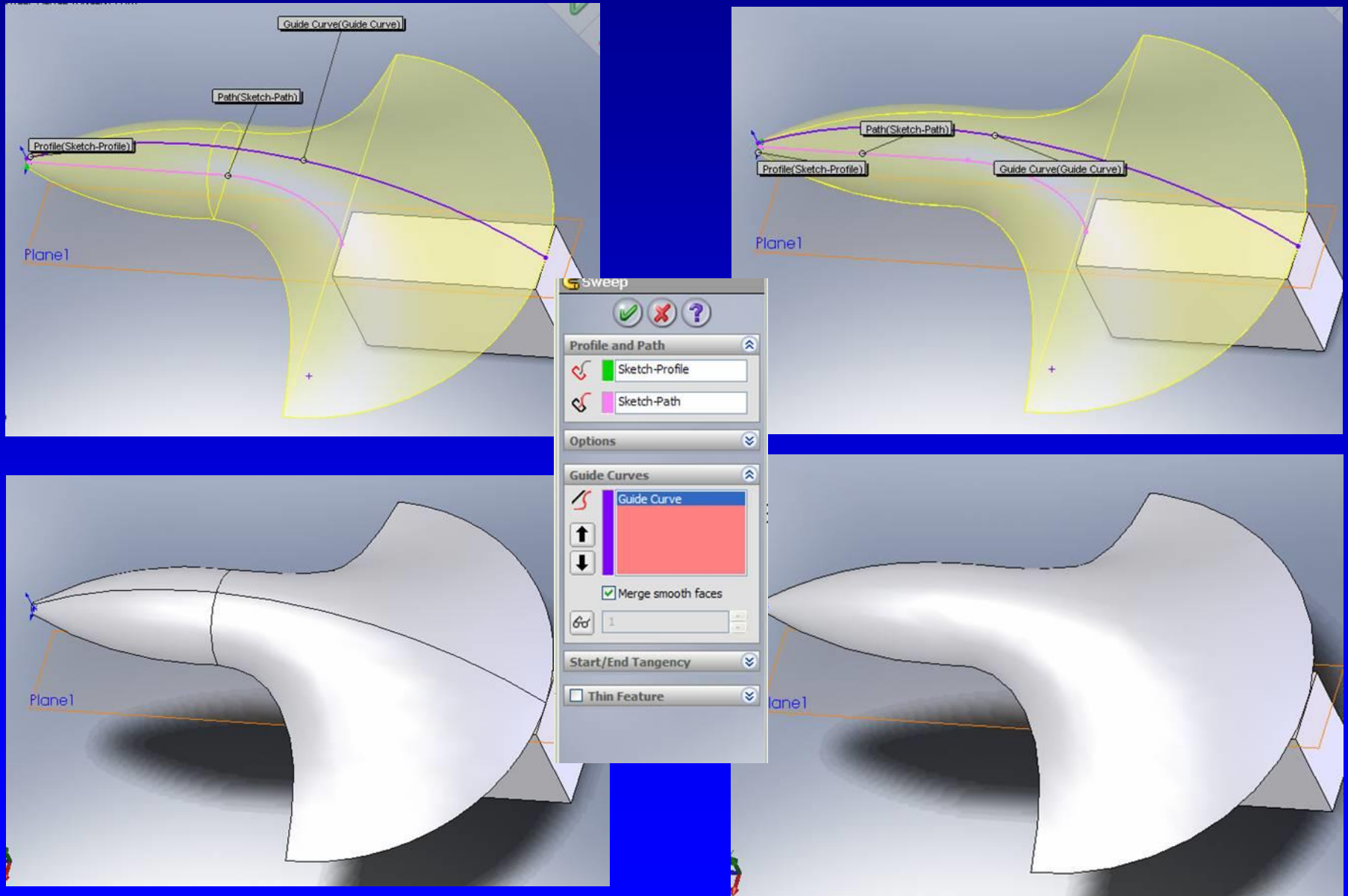


Sweep Command in SW

Sweep using Merge Smooth Faces option

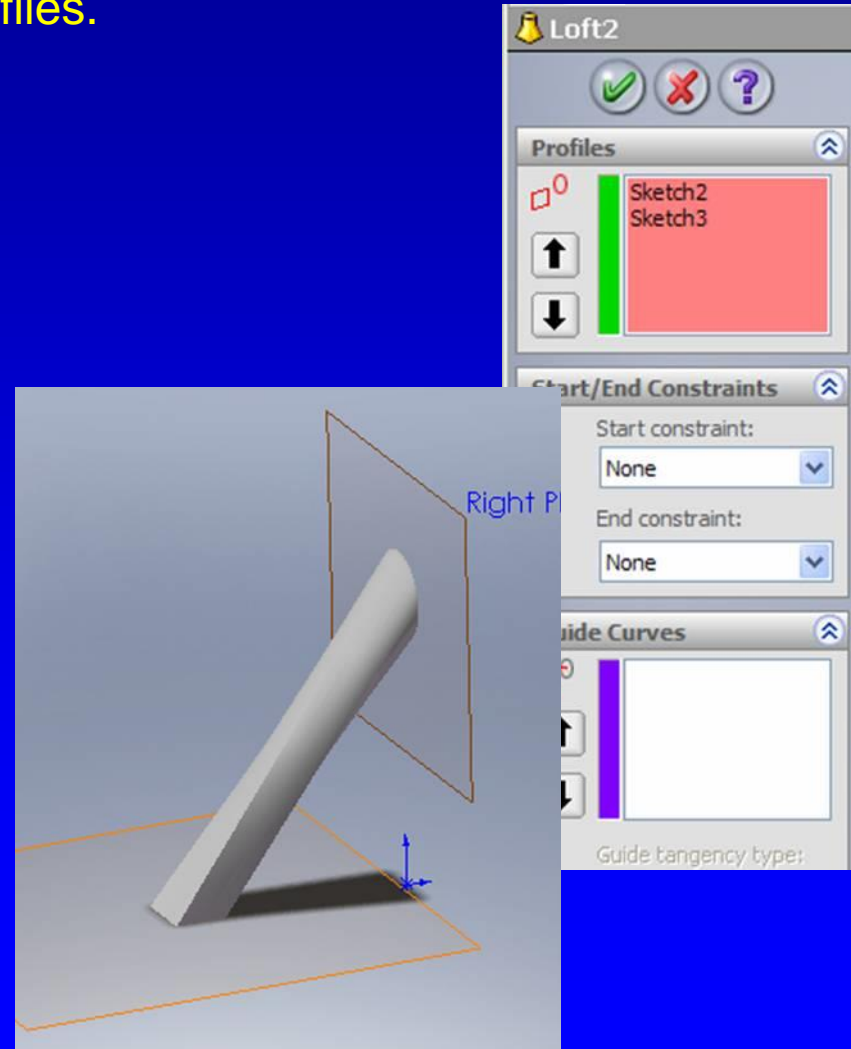
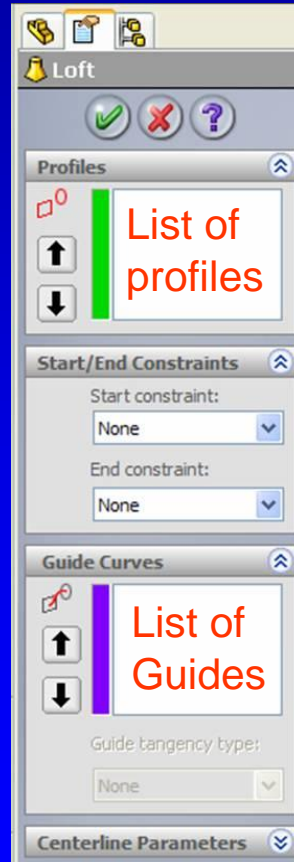
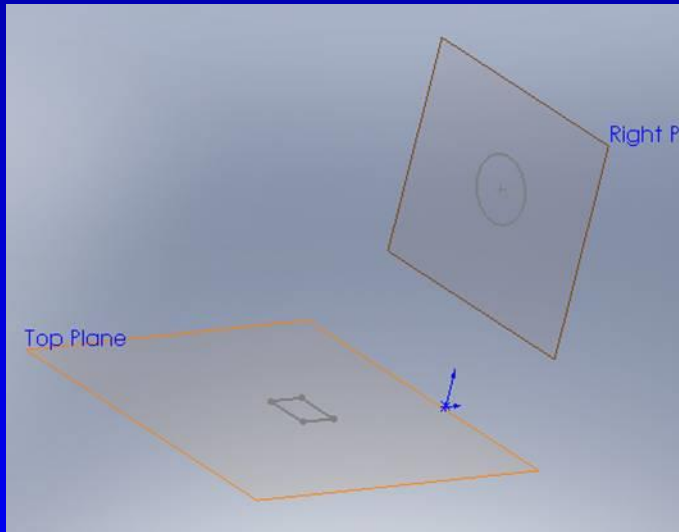
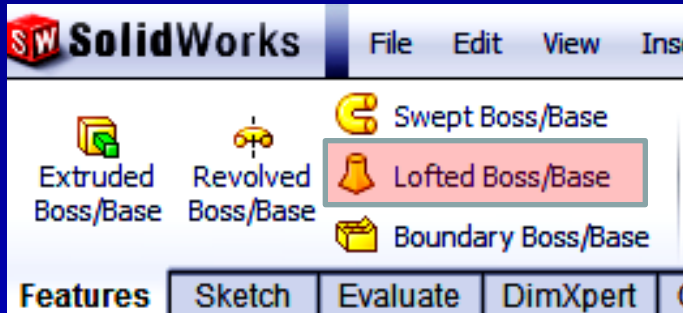


Sweep Command in SW



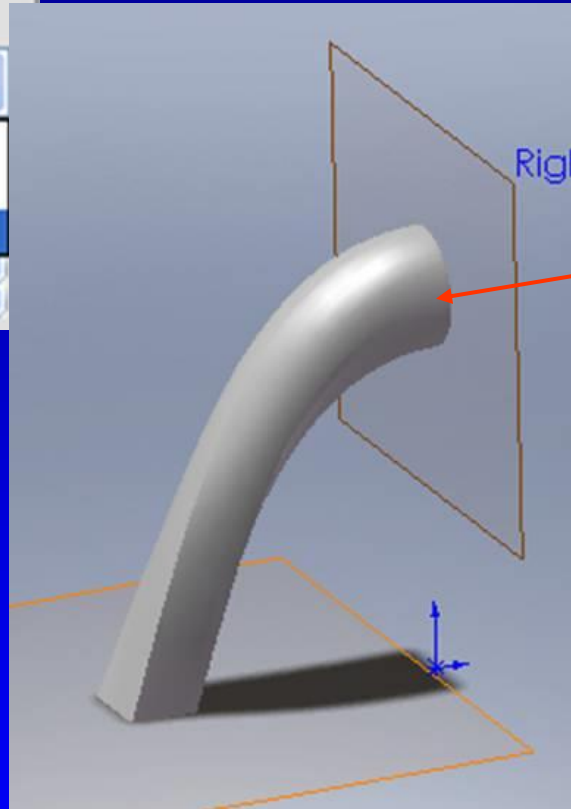
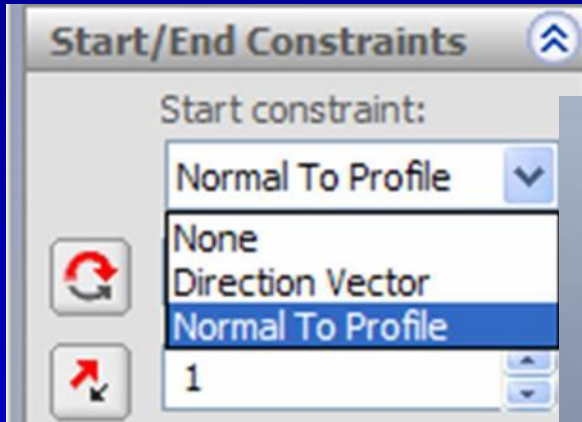
Loft Command in SW

Loft command creates a surface or a solid by sweeping and blending using two or more different profiles.

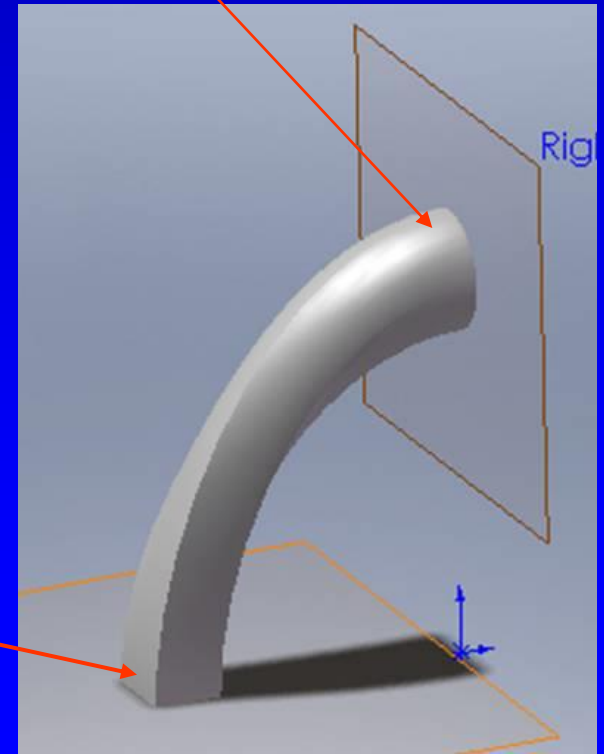
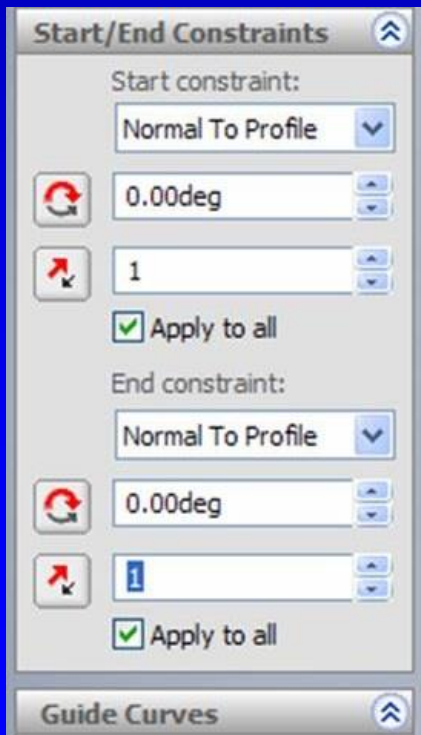


Loft Command in SW

Start and End Constraints options



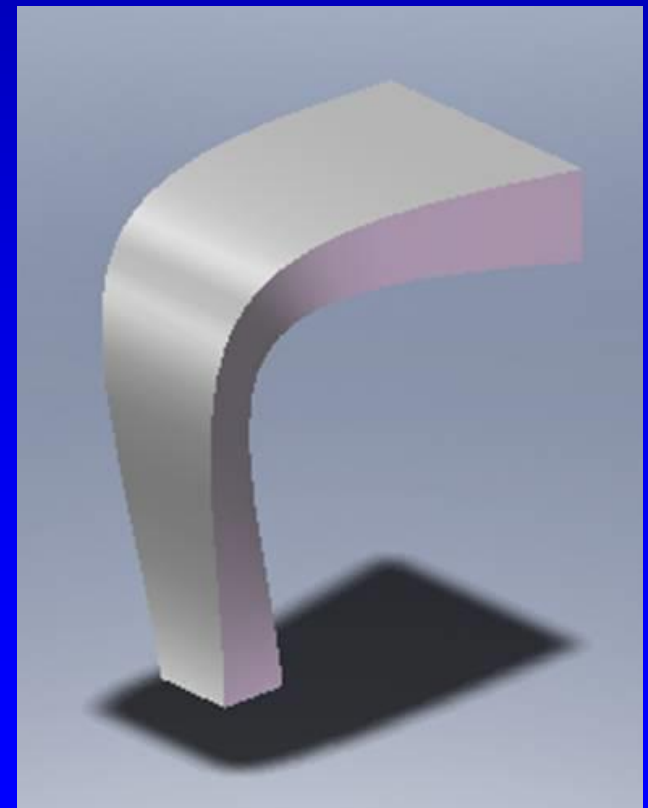
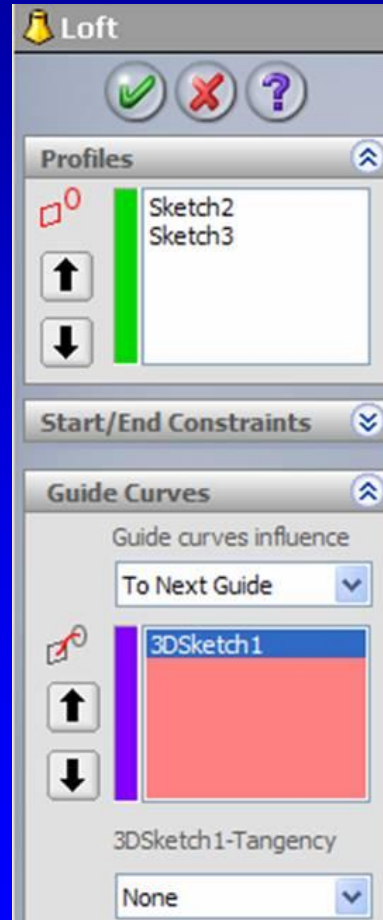
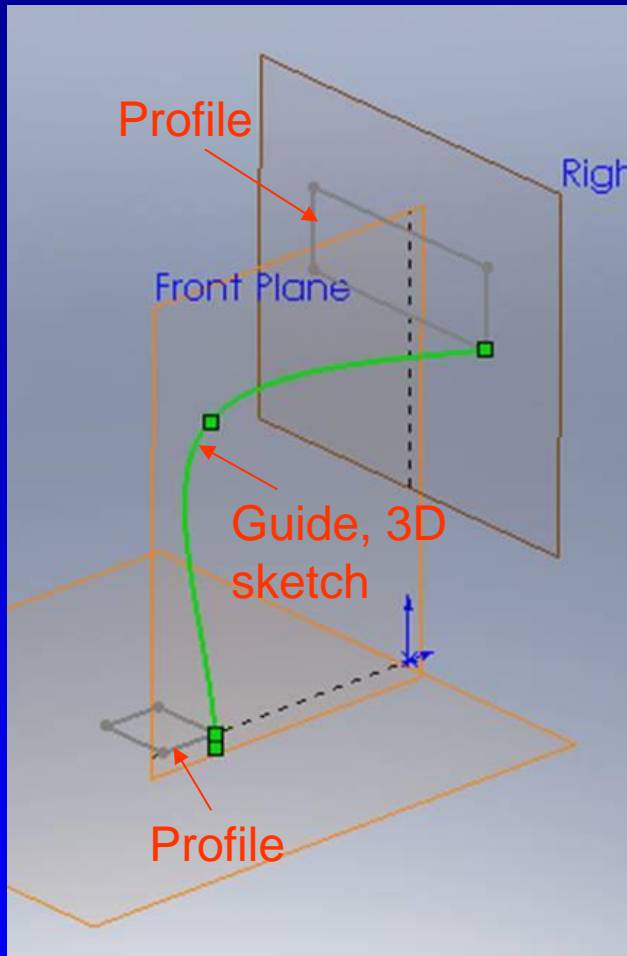
Profile normal to the plane at the start



Profile normal to the plane at the end

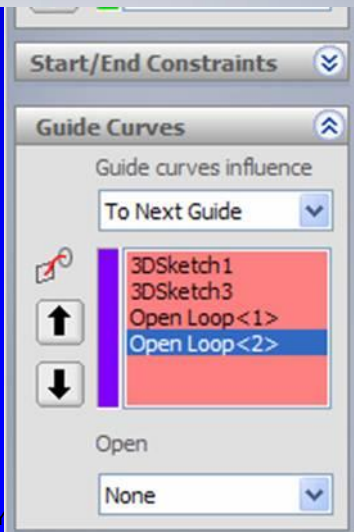
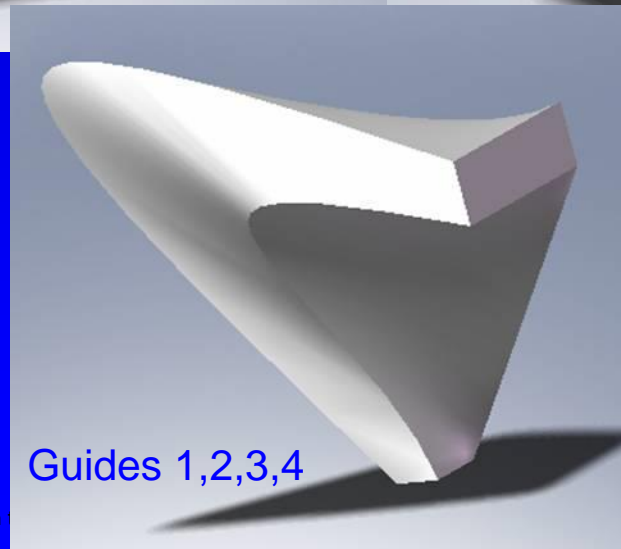
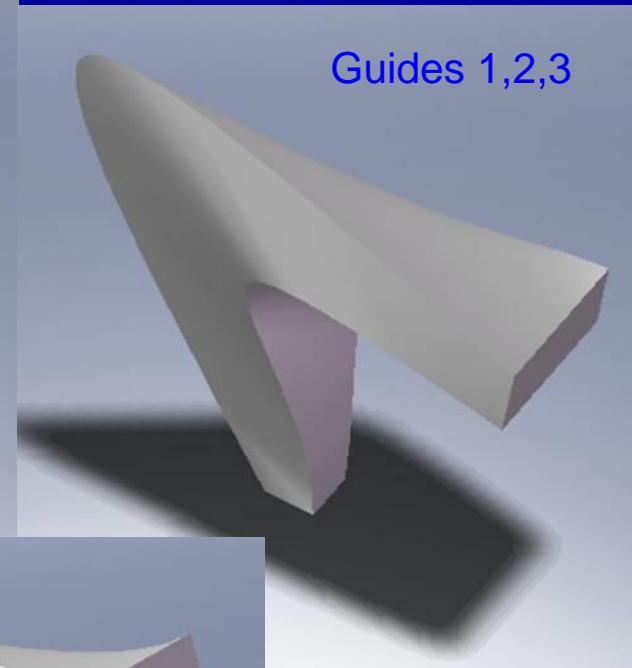
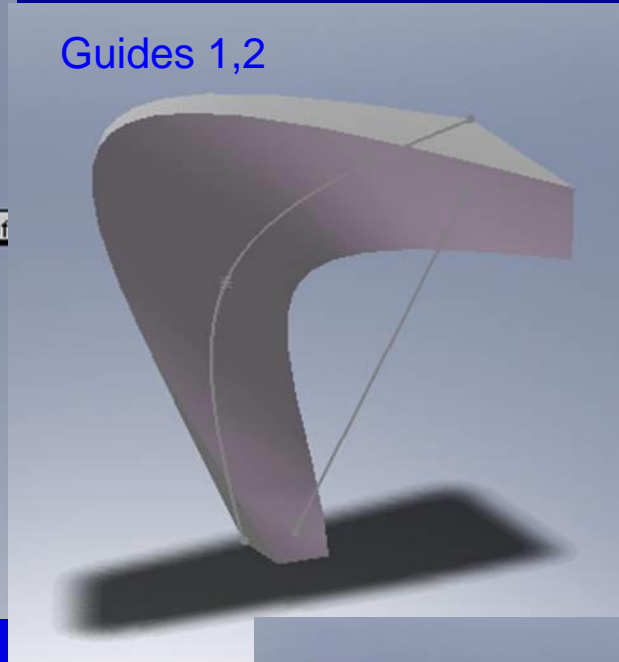
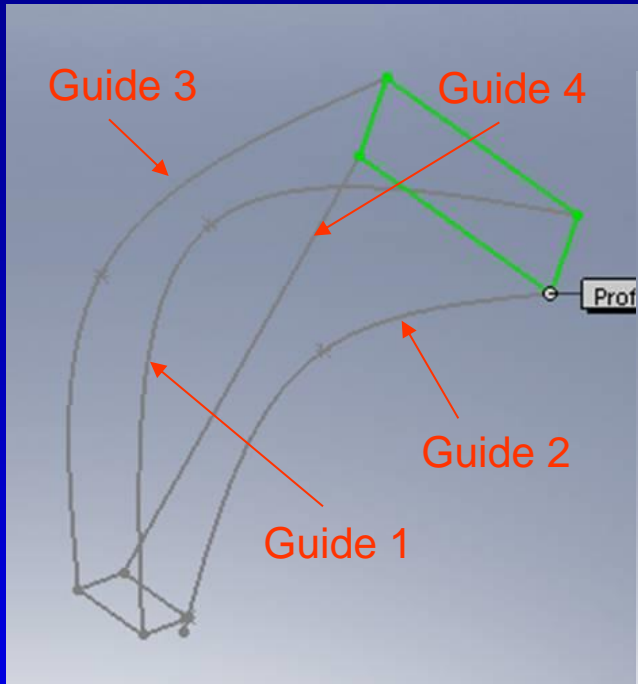
Loft Command in SW

Loft using a single Guide Curve.

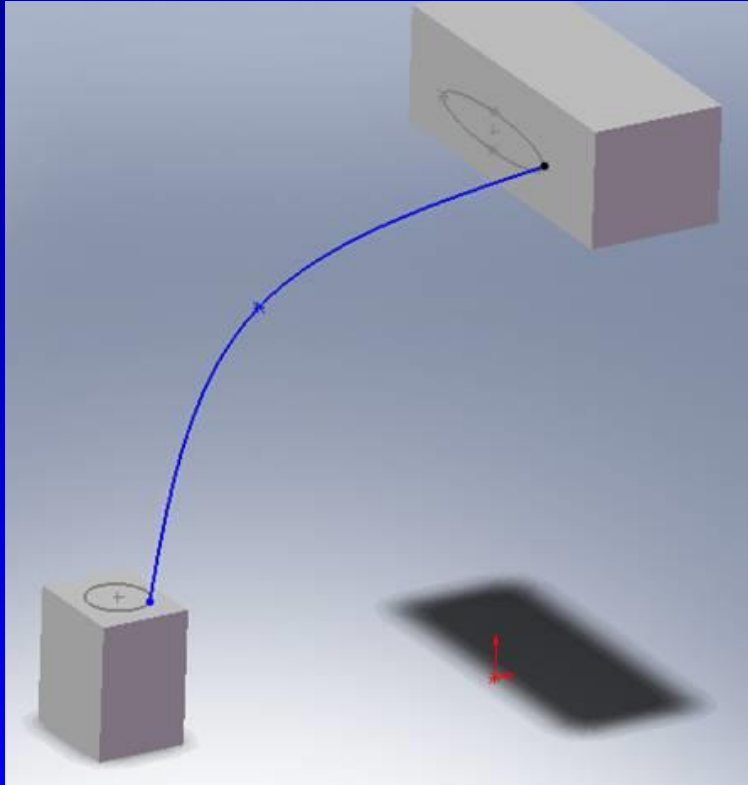


Loft Command in SW

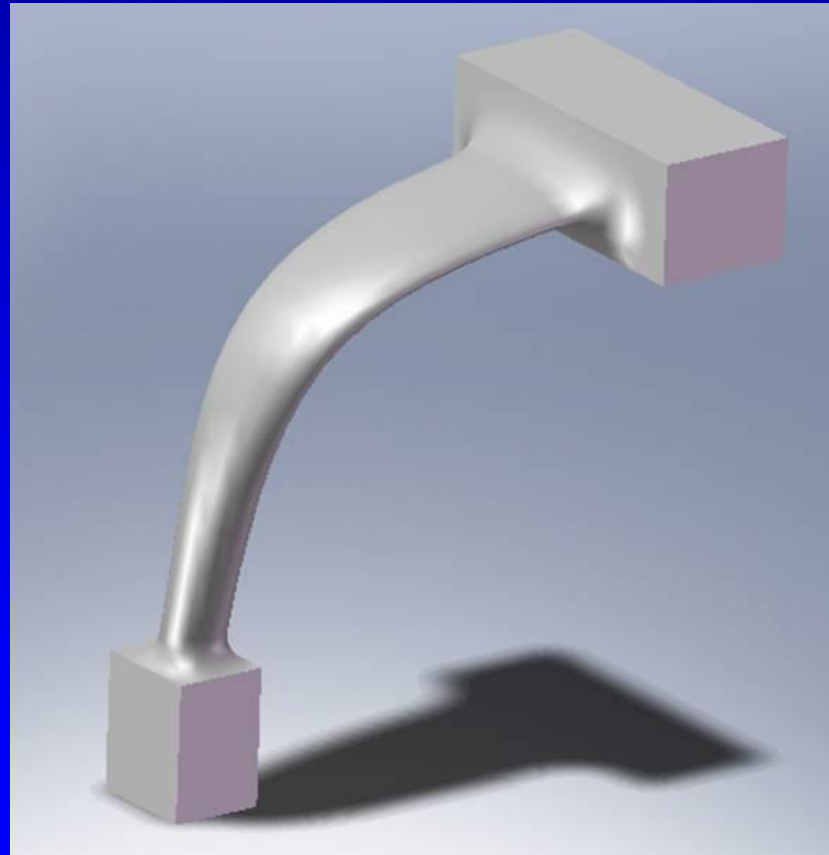
Loft using many Guide Curves.

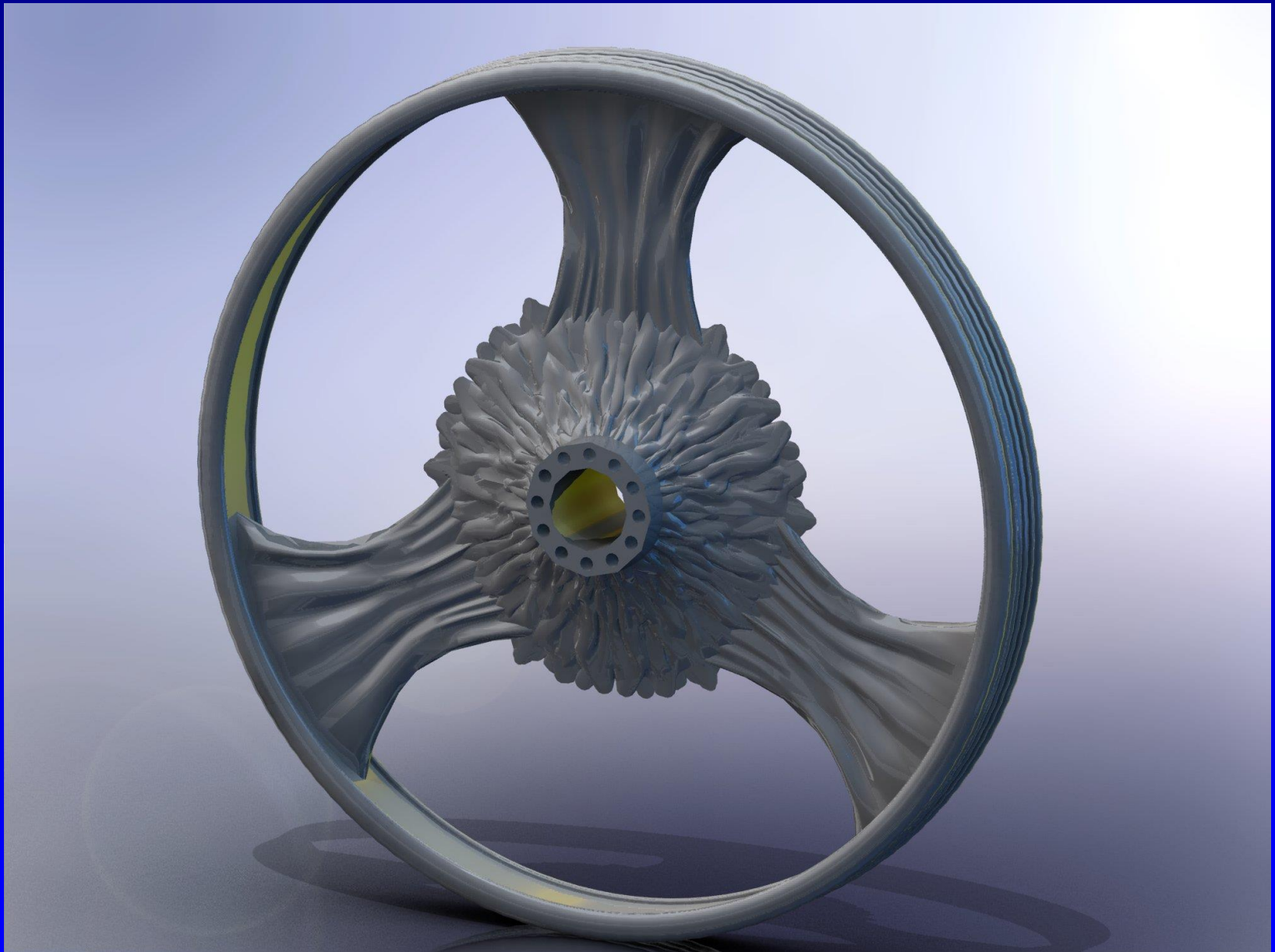


Loft Command in SW

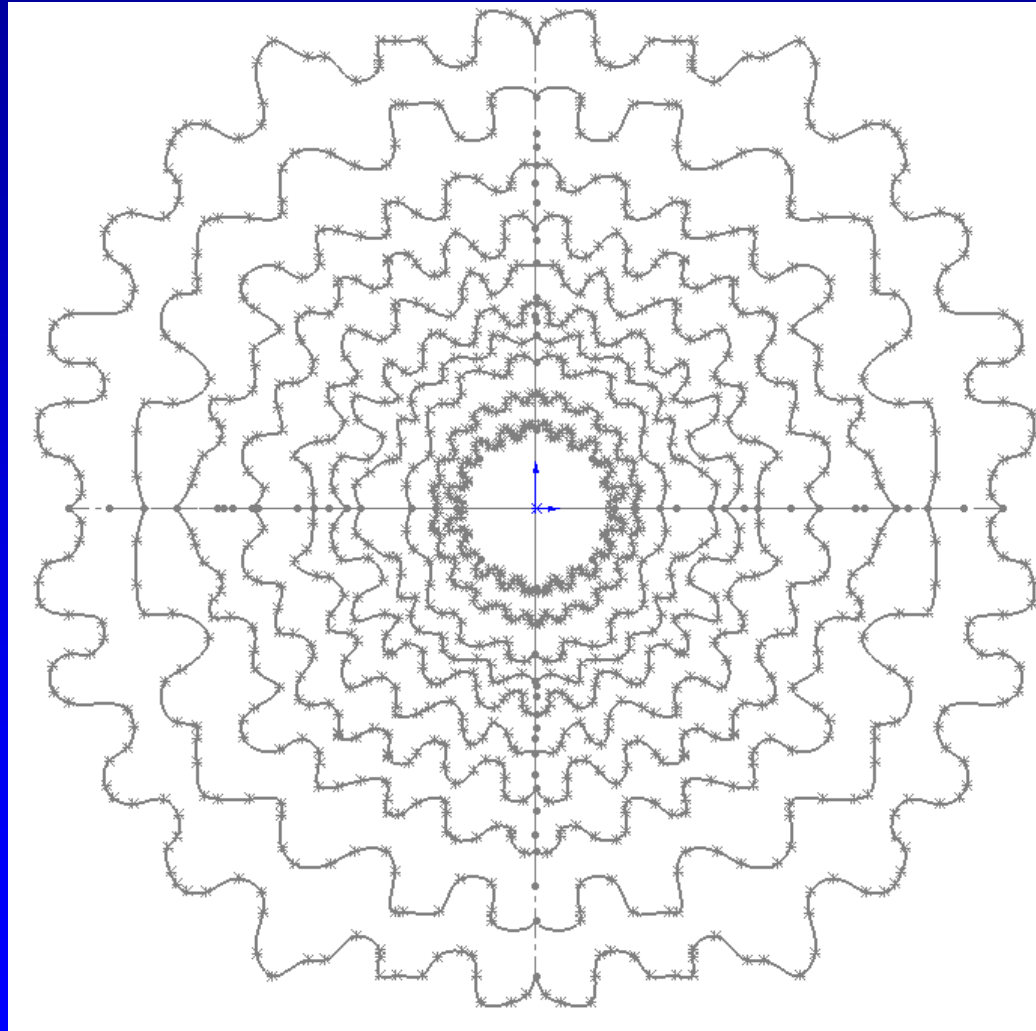


Merging a Loft with a feature





10 spline sketches on planes .3 inches apart



Example

