



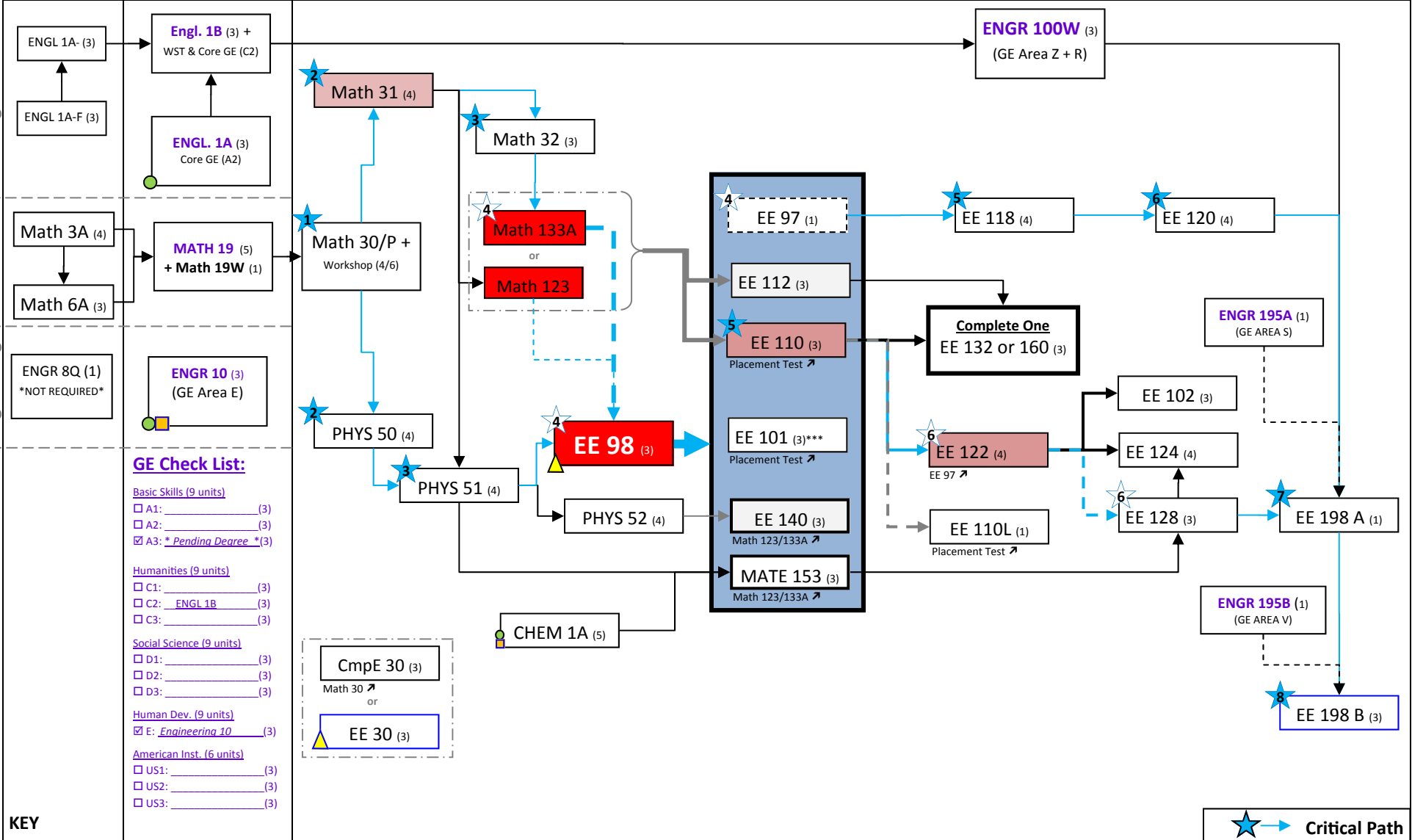
2017 Catalog Electrical Engineering (120 units)

English

Mathematics

Engineering

General Education



Additional Requirements:

Elective Courses: _____ (12units)

SJSU Studies: R & Z: ENGR 100W S: ENGR 195A (3 units) V: ENGR 195B (3 units)

My Engineering Plan (Course Menu Worksheet)

	YEAR 1	YEAR 2	YEAR 3	YEAR 4		
Electrical Engineering Critical Path	Calculus I (Math 30 or 30PL)	Calculus II (Math 31)	Calculus III (Math 32)	Ord. Differential Equ. (Math 133A)	Circuits & Systems (EE 110)	Electronic Desg. I (EE 122)
		Physics - Mechanics (Physics 50)	Physics - Electricity (Physics 51)	Intro to Circuits (EE 98)	Physical Electronics (EE 128)	Senior Design (EE 198A)
			Circuits Lab (EE97)	Circuit Design (EE 118)	Microprocessor Design (EE 120)	

Attention MEP Students.
This worksheet is meant to help you keep track of course taken and course you may be eligible to enroll in upcoming semester. This worksheet may be useful in helping you prepare for major advising. Always consult your plans with major advisor and be sure to follow their recommendations at the time of registration.

Course Menu: Co-Requisites Co-Requisites

Term:	Course:	Units:	Taking:	Move:
Critical Path				
Major:				
General Education:				
Notes:				

Term:	Course:	Units:	Taking:	Move:
Critical Path				
Major:				
General Education:				
Notes:				

Term:	Course:	Units:	Taking:	Move:
Critical Path				
Major:				
General Education:				
Notes:				

Term:	Course:	Units:	Taking:	Move:
Critical Path				
Major:				
General Education:				
Notes:				

Term:	Course:	Units:	Taking:	Move:
Critical Path				
Major:				
General Education:				
Notes:				

Term:	Course:	Units:	Taking:	Move:
Critical Path				
Major:				
General Education:				
Notes:				

Term:	Course:	Units:	Taking:	Move:
Critical Path				
Major:				
General Education:				
Notes:				

Term:	Course:	Units:	Taking:	Move:
Critical Path				
Major:				
General Education:				
Notes:				

Term:	Course:	Units:	Taking:	Move:
Critical Path				
Major:				
General Education:				
Notes:				

Term:	Course:	Units:	Taking:	Move:
Critical Path				
Major:				
General Education:				
Notes:				

Term:	Course:	Units:	Taking:	Move:
Critical Path				
Major:				
General Education:				
Notes:				

Term:	Course:	Units:	Taking:	Move:
Critical Path				
Major:				
General Education:				
Notes:				