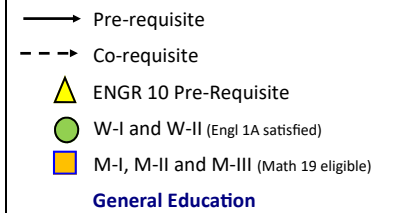
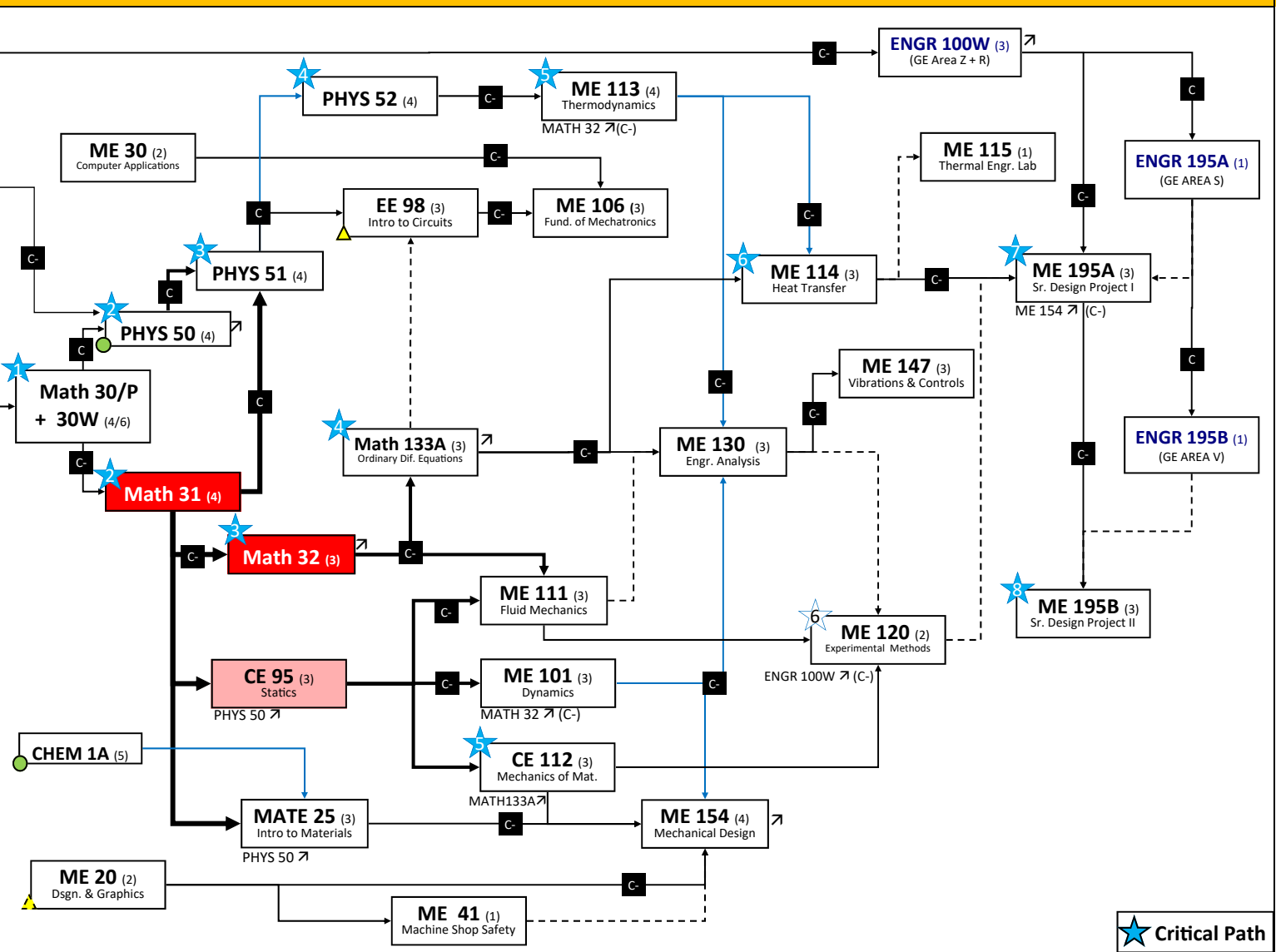
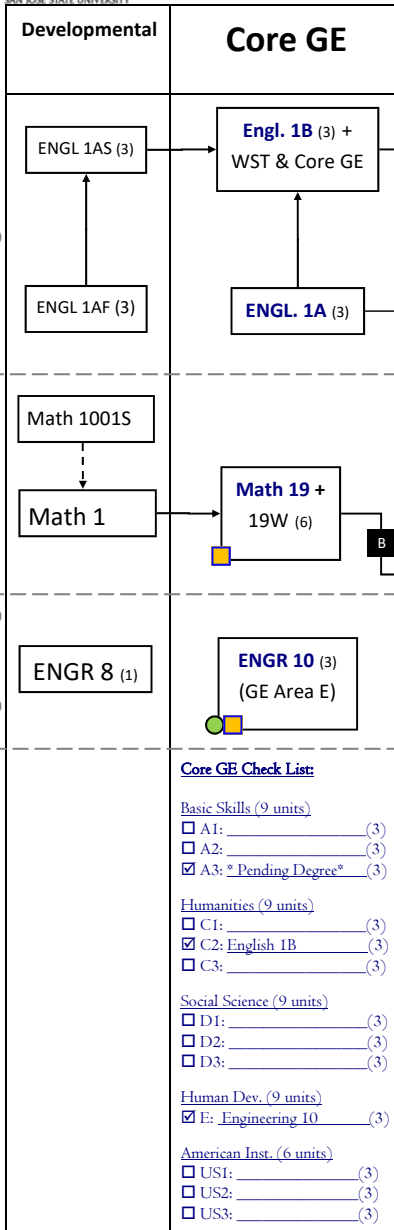


English

Mathematics

Engineering

General Education



**Additional Requirements:**

**Capstone Courses:** PICK ONE: (3 units)  ME 157 (3) OR  ME 182 (3) OR  MEP 190 (3)

**Technical Elective Courses:** (6 units)  \_\_\_\_\_ (3) AND  \_\_\_\_\_ (3)

**SJSU Studies:**  R&Z: ENGR 100W (3)  S: ENGR 195A w/ Sr. Project (3)  V: ENGR 195B w/ Sr. Project (3)