

2019 Catalog

Electrical Engineering (120 units)

English

Math

ENGR

Supplemental Instruction

ENGL 1AS (3) → ENGL 1A (3) → ENGL 1AF (3) → ENGL 1B (3) + Core GE & WST

ENGR 8 (1) → ENGR 10 (3) (GE Area E)

Core GE

Math 18A (1) → Math 18B (3) → Math 19 + 19W (6)

Math 01 (3) → Math 18A (1) → Math 19 + 19W (6)

Math 30/P + Workshop (4/6)

PHYS 50 (4) Mechanics

PHYS 51 (4) Electricity & Magnetism

CHEM 1A (5) General Chemistry I

CMPE 30 (3) Programming Concepts & Methodology

OR

EE 30 (3) Intro to Programming Micro-Controllers

GE Check List:

Basic Skills (9 units)

A1: _____ (3)

A2: _____ (3)

A3: * Pending Degree * (3)

Humanities (9 units)

C1: _____ (3)

C2: ENGL 1B (3)

C3: _____ (3)

Social Science (9 units)

D1: _____ (3)

D2: _____ (3)

D3: _____ (3)

Human Dev. (9 units)

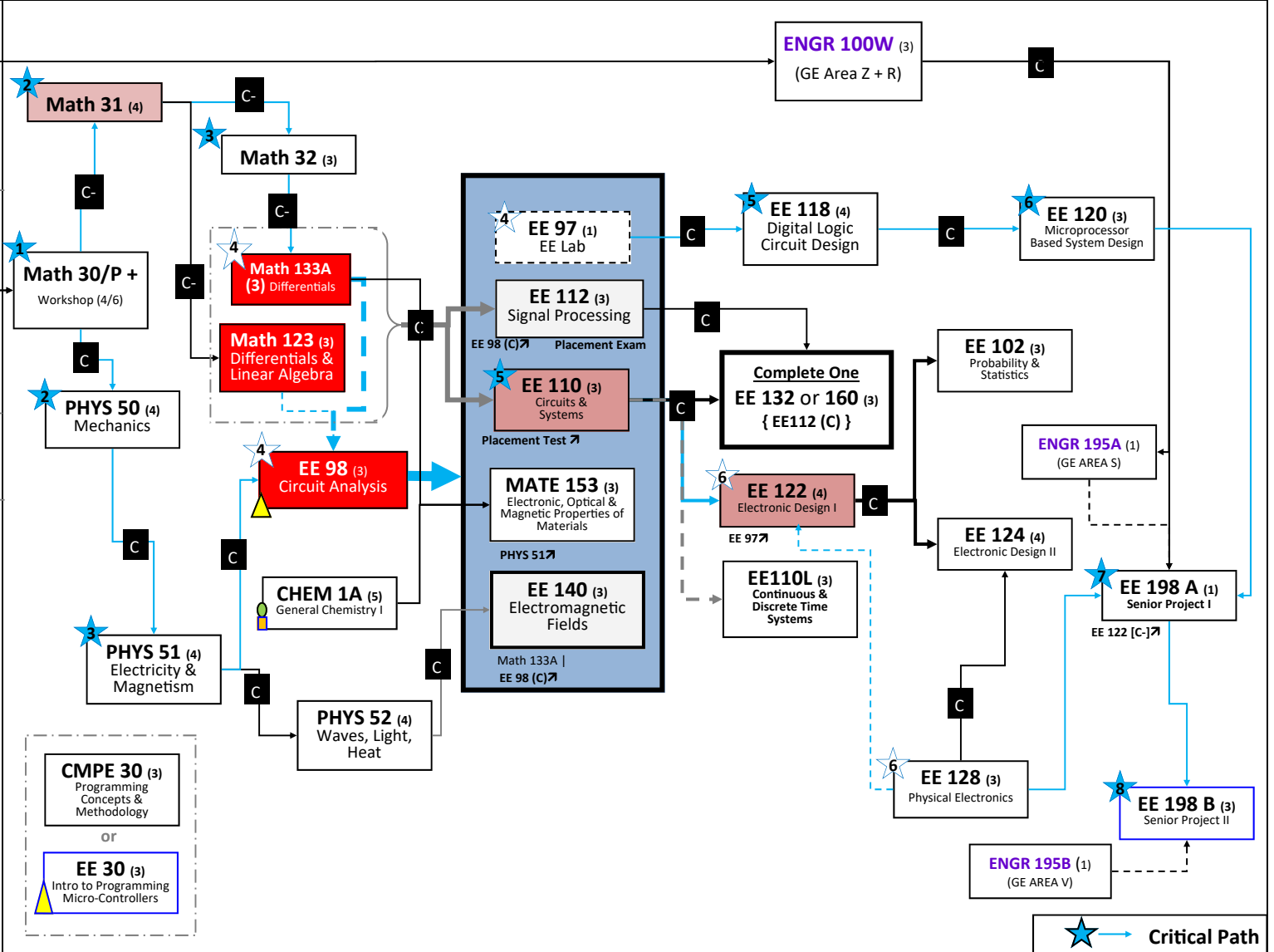
E: Engineering 10 (3)

American Inst. (6 units)

US1: _____ (3)

US2: _____ (3)

US3: _____ (3)



KEY

→ Pre-requisite

- - -> Co-requisite

▲ ENGR 10 Pre-Requirement

● English 1A Readiness Required

■ Math 19 Readiness Required

Generals Education

Additional Requirements:

Elective Courses: _____ (12units)

SJSU Studies: R & Z: ENGR 100W S: EE 198A+B/ENGR 195A+B (3 units) V: EE 198B/ENGR 195B (3 units)