

Fall 2020 Catalog

Software Engineering (120 units)

English

Math

ENGR

Developmental

ENGL 1AS (3)
ENGL 1AF (3)

Core GE

ENGL 1B (3) + Core GE & WST
ENGL 1A (3)

Math 18B (3)
Math 18A (1)
Math 01 (3)

Math 19 + 19W (6)

ENGR 10 (3) (GE Area E)

ENGR 8 (1)

GE Check List:

Basic Skills (9 units)

A1: _____ (3)
 A2: _____ (3)
 A3: *Pending Degree* (3)

Humanities (9 units)

C1: _____ (3)
 C2: ENGL 1B (3)
 C3: _____ (3)

Social Science (9 units)

D1: _____ (3)
 D2: _____ (3)
 D3: _____ (3)

Human Dev. (9 units)

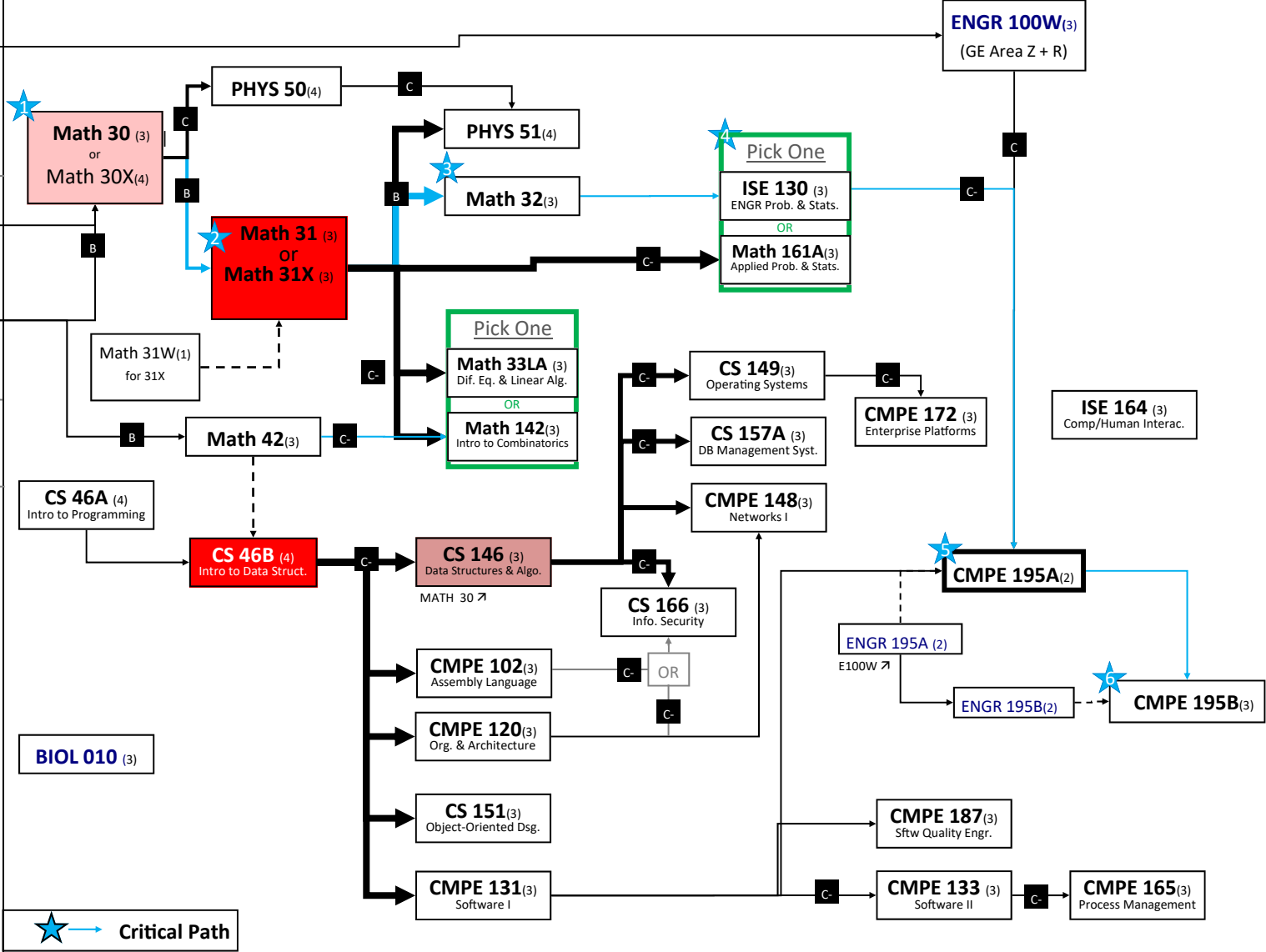
E: *Engineering 10* (3)

Social Science (9 units)

US1: _____ (3)
 US2: _____ (3)
 US3: _____ (3)

KEY:

→ Pre-requisite
- - - Co-requisite
▲ ENGR 10 Pre-Requisite
● W-I and W-II (Engl 1A satisfied)
■ M-I, M-II and M-III (Math 19 eligible)



Additional Requirements:

Technical Elective Courses: (6 units) _____ (3) _____ (3)

SJSU Studies: F: Am. Institution (6 units) S: ENGR 195A w/ Sr. Project (CompE195A) V: ENGR 195A w/ Sr. Project (CompE195A)